

Spare Parts Book

GARUDAN®

GZ-539 Series



ANITA B, s.r.o.

Průmyslová 2453/7

680 01 Boskovice

Czech Republic

tel: +420 516 454 774

+420 516 453 496

fax: +420 516 452 751

e-mail: info@anita.cz

www.garudan.cz

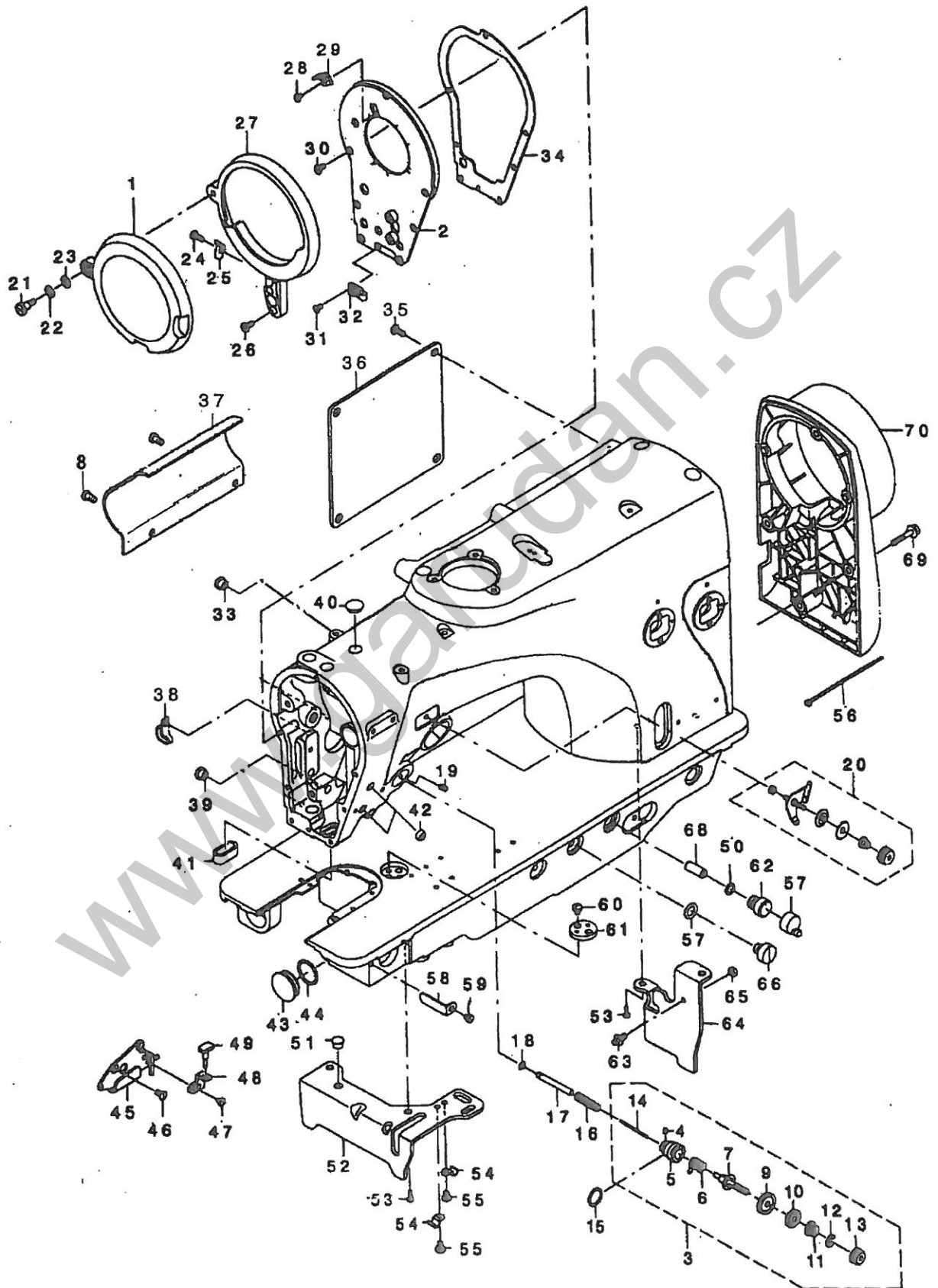
All rights reserved

All rights reserved property of Anita B and protected by copyright. The use of this content without written permission is prohibited. Copyright © Anita B s r.o. (2016)

CONTENTS

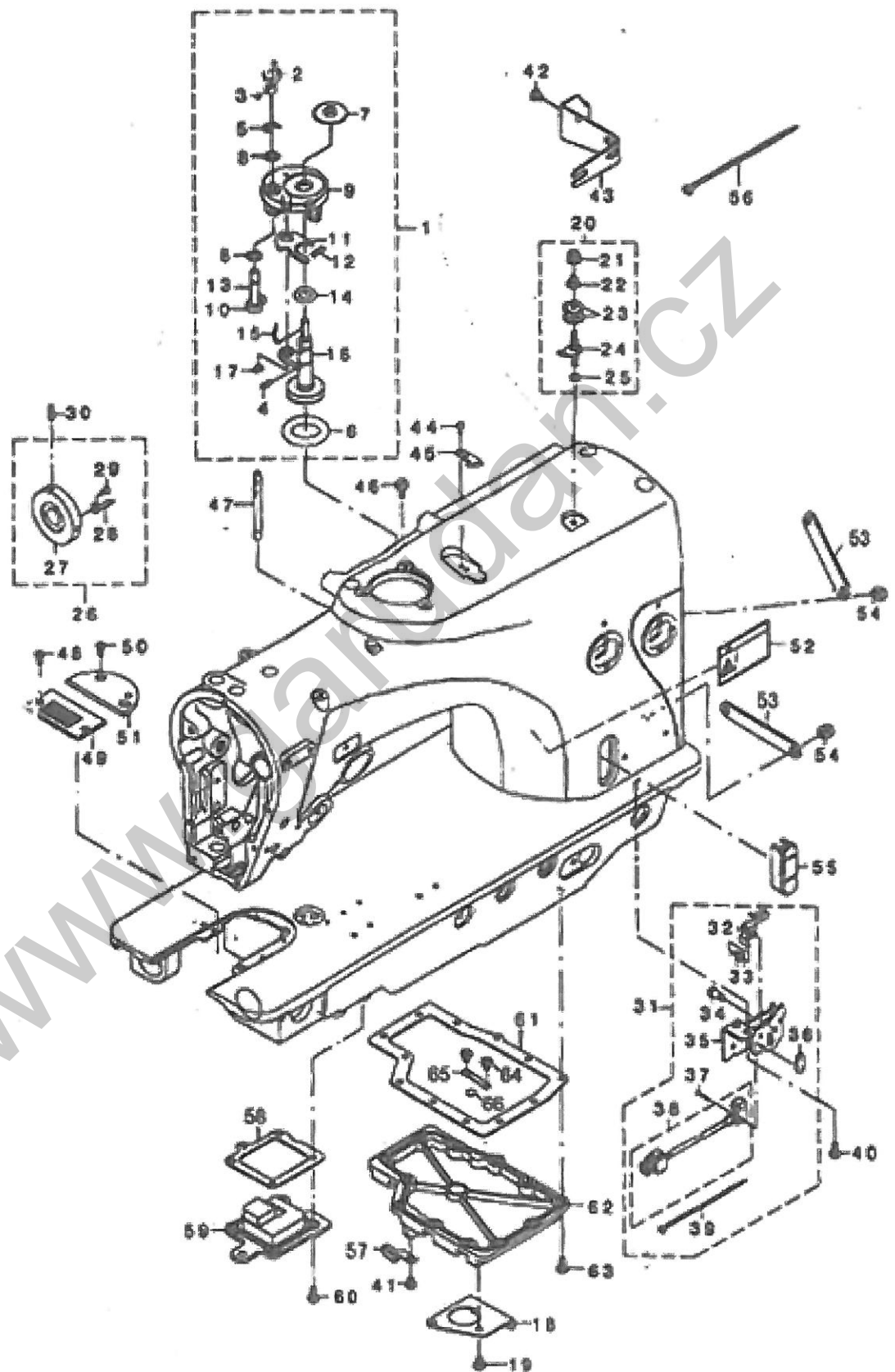
1. FRAME & MISCELLANEOUS COVER COMPONENTS I	01
2. FRAME & MISCELLANEOUS COVER COMPONENTS II	03
3. MAIN SHAFT & THREAD TAKE-UP & NEEDLE BAR COMPONENTS.....	05
4. NEEDLE VIBRATOR COMPONENTS.....	07
5. HAND LIFTER COMPONENTS.....	09
6. FEED MECHANISM COMPONENTS I	11
7. FEED MECHANISM COMPONENTS II	13
8. HOOK DRIVING SHAFT COMPONENTS I	15
9. HOOK DRIVING SHAFT COMPONENTS II	17
10. THREAD TRIMMER MECHANISM COMPONENTS.....	19
11. AUTOMATIC REVERSE FEED MECHANISM COMPONENTS.....	21
12. THREAD FEEDER COMPONENTS.....	23
13. THREAD RELEASE SOLENOID COMPONENTS.....	25
14. LUBRICATION COMPONENTS.....	27
15. WIPER MECHANISM COMPONENTS.....	29
16. UNDER COVER COMPONENTS.....	31
17. THREAD STAND COMPONENTS.....	33
18. ACCESSORIES PART COMPONENTS.....	35

1. FRAME & MISCELLANEOUS COVER COMPONENTS (1)



			DESCRIPTION	
1	101.1.1	BALANCE COVER		1
2	101.1.2	FACE PLATE COMPL.		1
3	101.1.3	THREAD TENSION ASM.		1
4	GC5580.3.1-9	SCREW		1
5	101.1.3.1	THREAD TENSION ROD BASE ASM.		1
6	101.1.3-1	TAKE-UP SPRING		1
7	101.1.3.2	THREAD TENSION ROD COMPL.		1
8	101.1-30	SCREW		2
9	91-002065-05	THREAD TENSION DISK COMPL.		1
10	101.1.3-2	TENSION DISC HOLDER		1
11	101.1.3-3	TENSION SPRING		1
12	GC5580.3.1-3	ROTATION STOPPER		1
13	GC5580.3.1-2	THREAD TENSION NUT		1
14	101.3.1-4	THREAD RELEASE PIN		1
15	101.1-21	RUBBER RING		1
16	101.1-20	THREAD RELEASE PIN SPRING		1
17	101.1-19	THREAD RELEASE AUXILIARY PIN		1
18	GB896-86 4	E-RING		1
19	101.1-18	SCREW		1
20	101.1-4	PRE-TENSION CONTROLLER ASM.		1
21	101.1-1	HINGE SCREW		1
22	101.1-2	WAVED WASHER		1
23	101.1-3	WASHER		1
24	101.1-6	SCREW		1
25	101.1-5	SPRING		1
26	101.1-7	SCREW		1
27	101.1-4	BALANCE COVER BASE		1
28	C.2-38	SCREW		1
29	101.1-18	TAKE-UP THREAD CUTTER		1
30	101.1-10	SCREW		7
31	C.1-54	SCREW		1
32	101.1-11	SPRING GUARD		1
33	101.1-25	RUBBER PLUG		1
34	101.1-12	FACE PLATE PACKING		1
35	101.1-30	SCREW		6
36	1114.1-1	SIDE PLATE		1
37	1114.1-2	CONNECTING ROD		1
38	101.1-26	UPPER SHAFT FRONT METAL OIL WIRE HOLDER		1
39	101.1-24	RUBBER PLUG		1
40	L.1-1	RUBBER PLUG		3
41	101.1-23	ARM OIL SHIELD		1
42	101.1-17	DRIVING STOPPER RUBBER		2
43	101.1-32	GEAR BOX CAP		1
44	101.1-33	RUBBER RING		1
45	101.1-13	BALANCE THREAD GUIDE		1
46	101.1-10	SCREW		2
47	101.1-16	SCREW		1
48	101.1-15	SPRING GUARD		1
49	101.1-14	RUBBER STOPPER		1
50	217.1-14	RUBBER RING		1
51	101.1-41	RUBBER PLUG		1
52	101.1-39	BED SUPPORT PLATE A		1
53	101.1-40	SCREW		2
54	101.1-42	OIL RETURN TUBE HOLDER		1
55	101.1-6	SCREW		1
56	501GA109	CABLE BAND		1
57	101.1-30	ARD-DISCHARGING CAP		1
58	101.1-34	GEAR BOX CAP PRESSER		1
59	101.1-35	SCREW		1
60	90-5/1-6	SCREW		2
61	90-5/1-5	RULER STOP SEAT		1
62	217.1-13	AIR-DISCHARGING		1
63	101.1-22	SCREW		1
64	101.1-43	BED SUPPORT PLATE B		1
65	101.1-9	NUT		1
66	101.1-36	SCREW		1
67	101.1-37	RUBBER RING		1
68	GB879 Φ8X20	CABLE BAND		1
69	101.1.6	SCREW		5
70	101.1-45	PULLEY COVER		1

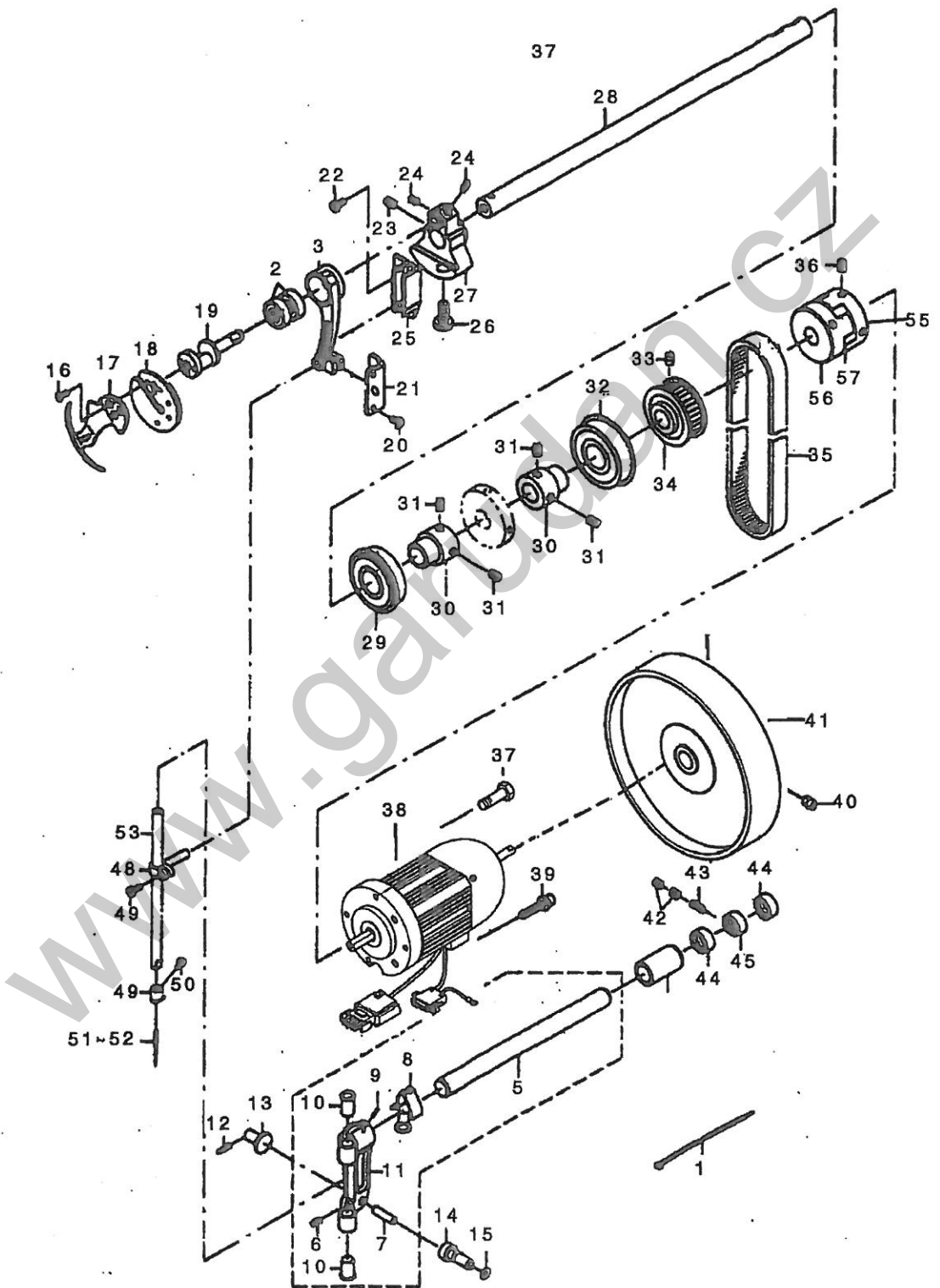
2. FRAME & MISCELLANEOUS COVER COMPONENTS II



DESCRIPTION

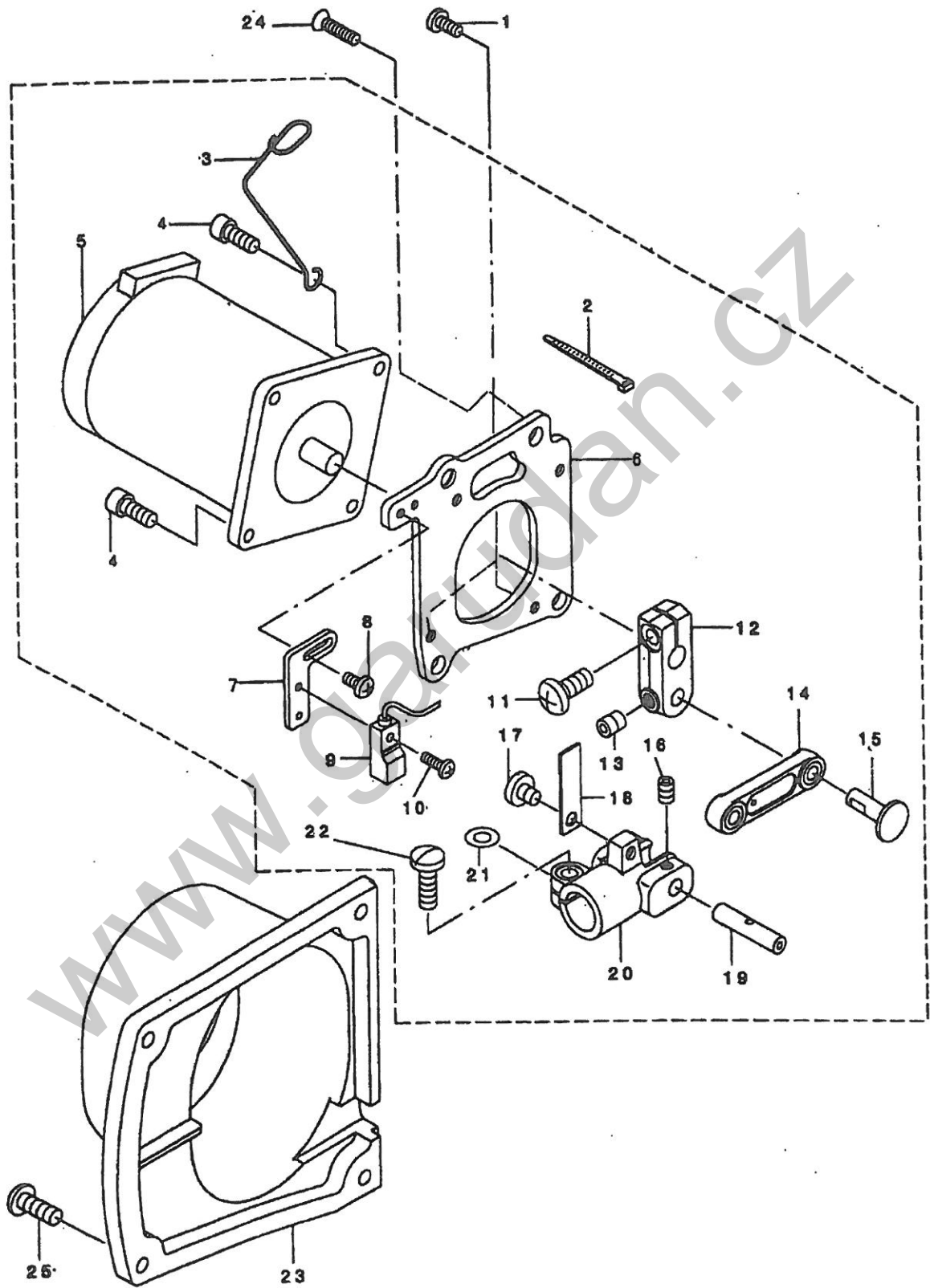
1	101.2.1	BOBBIN DEVICE ASM.	1
2	L.1.1-2	BOBBIN LEVER	1
3	S20.2.2-1	SCREW	1
4	L.1.2-4	PRESSUR FOOT SPRING	1
5	GB896-85 5	E-RING	1
6	101.2.1-1	RING	1
7	L.1.1-9	CUSHION	1
8	L.1.1-14	WASHER	1
9	L.1.1.1	BOBBIN FITTING BASIS COMPL.	1
10	L.1.1-5	BOBBIN CAM SHAFT COMPL.	11
11	L.1.1-6	ASJUSTING PLATE	1
12	L.1.1-3	SPRING	1
13	L.1.1-13	BOBBIN CAM SHAFT COMPL.	1
14	L.1.1-10	RUBBER RING	1
15	L.1.1-7	LATCH SPRING	1
16	101.2.1-3	BOBBIN WINDER SHAFT COMPL.	1
17	GB894.1-86 6	RETAINING RING	1
18	101.2-15	PIPE GUIDE PLATE	1
19	101.2-6	SCREW	1
20	L.1.2	BOBBIN THREAD TENSION ASM.	1
21	L.1.2-1	THREAD TENSION NUT	1
22	L.1.2-2	THREAD TENSION SPRING	1
23	L.1.2-3	BOBBIN WINDER TENSION DISC	2
24	L.1.2.1	BOBBIN THREAD TENSION ROD ASM.	1
25	L.1.2-4	NUT	1
26	101.2.3	BOBBIN DRIVING WHEEL ASM.	1
27	101.2.3-1	BOBBIN DRIVING WHEEL	1
28	101.2.3-2	BOBBIN DRIVING WHEEL BLADE	3
29	101.2.3-3	SCREW	3
30	L.2-22	SCREW	2
31	101.2.4	SAFETY SWITCH ASM.	1
32	101.2.4-1	SAFETY SWITCH ARM	1
33	218.8.6-1	SAFETY SWITCH SPRING	1
34	218.8.6-4	SAFETY SWITCH ARM SHAFT	1
35	101.2.4-2	SAFETY SWITCH BASE	1
36	218.8.6-3	SAFETY SWITCH STOPPER PLATE	1
37	218.8.6-2	SCREW	2
38	1114.2.2	SAFETY SWITCH CORD ASM.	1
39	501GA109	CABLE BAND	1
40	101.2-2	SCREW	2
41	101.1-6	SCREW	1
42	101.2-2	SCREW	1
43	101.2-1	HEAD LUBRICATION PIPE STOPPER	1
44	101.2-3	SCREW	2
45	L.1-30	THREAD CUTTER	1
46	101.2-4	SCREW	3
47	101.2-9	SAFETY SWITCH ARM	1
48	C.1-54	SCREW	2
49	101.2-6	NEEDLE PLATE	1
50	C.1-54	SCREW	2
51	101.2-5	BEED PLATE	1
52	GC5580.1-13	SAFETY LABEL. (SMALL)	1
53	101.2-8	CONNECTING ROD	2
54	101.2.2	SCREW	4
55	101.2-10	OIL SIGHT WINDOW	1
56	501GA109	CABLE BAND	1
57	101.1-42	LUBRICATING OIL WICK STOPPER	1
58	101.2-12	GEAR BOX(SMALL) PACKING	1
59	101.2-11	GEAR BOX(SMALL) COVER	1
60	101.1-6	SCREW	4
61	101.2-14	GEAR BOX (LARGE) PACKING	1
62	101.2-13	GEAR BOX (LARGE) COVER	1
63	101.1-30	SCREW	12
64	GB/T13806.2 M3X4	SCREW	2
65	101.18-1	PLATE	1
66	102.1-10	MAGNET	1

3. MAIN SHAFT & THREAD TAKE-UP & NEEDLE BAR COMPONENTS



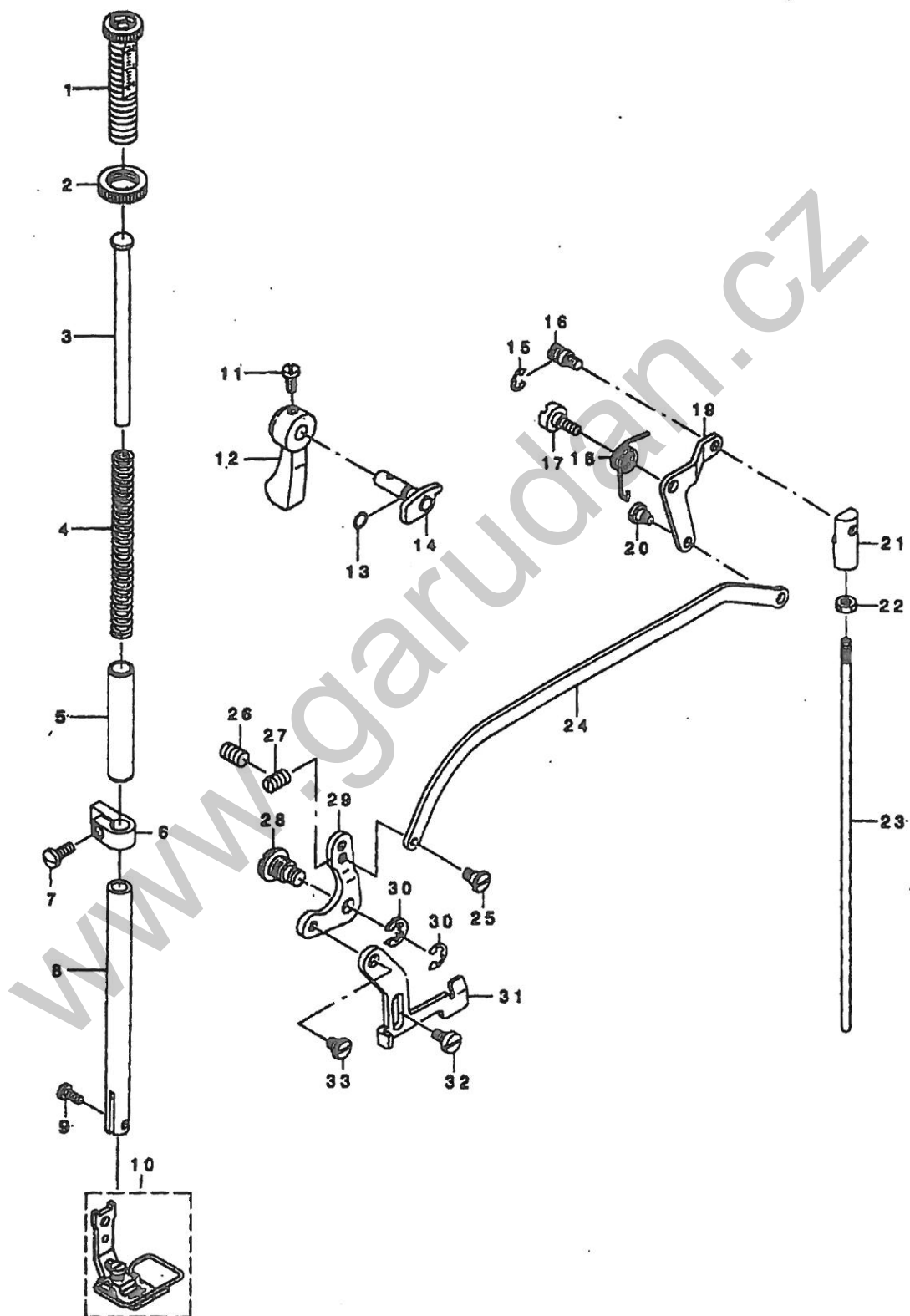
DESCRIPTION			
1	501GA109	CABLE BAND	1
2	NSK608Z	BUSHING	2
3	101.3-8	NEEDLE ROD CRANK ROD	1
4	101.3.1	NEEDLE ROD SUPPORT BASE ASM.	1
5	101.3.1-1	NEEDLE ROD SUPPORT BASE SHAFT	1
6	101.3-3	SCREW	1
7	101.3-2	SUPPORT BASE GUIDE SHAFT	1
8	101.3-4	NEEDLE ROD SUPPORT BASE FELT	1
9	GB879 Φ 4X22	SPRING PIN	1
10	101.3.1-2	NEEDLE ROD METAL	2
11	101.3.1-1	NEEDLE ROD SUPPORT BASE	1
12	101.3-26	SCREW	1
13	101.3-25	SUPPORT BASE GUIDE PIN B	1
14	101.3-27	SUPPORT BASE GUIDE PIN A	1
15	101.3-28	RUBBER RING	1
16	C.1-54	SCREW	3
17	101.3-31	BALANCE V	1
18	101.3.2	TAKE-UP COUNTERWEIGHT ASM.	1
19	101.3-9	NEEDLE ROD CRANK	1
20	C.3-24	SCREW	2
21	101.3-24	NEEDLE ROD CRANK ROD GUIDE	1
22	101.6-2	SCREW	2
23	101.3-11	SCREW	1
24	GC5580.2-11	SCREW	2
25	101.3-5	NEEDLE ROD HOLDER GUIDE	1
26	GC5580.2-24	SCREW	1
27	101.3-10	COUNTER WEIGHT	1
28	101.3-14	UPPER SHAFT	1
29	NSK6204ZZNR	BEARING	1
30	101.3-12	MAIN SHAFT BEARING SUPPORT	1
31	101.3-13	SCREW	2
32	NSK6304ZZR	BEARING	1
33	101.3-13	SCREW	2
34	101.3-15	UPPER SHAFT SPROCKET	1
35	101.3-16	TIMING BELT	1
36	545.2-6	SCREW	4
37	PF1114.3-2	SCREW	1
38	1114.3-3	MOTOR A ASM.	1
39	1114.3.1	SCREW	4
40	101.3-13	SCREW	2
41	1114.3-1	HAND WHEEL	1
42	101.3-23	SCREW	1
43	101.3-22	SPRING	1
44	101.3-21	SUPPORT BASE SHAFT FRONT METAL	2
45	101.3-20	SUPPORT BASE SHAFT REAR METAL	1
46	101.3-6	SUPPORT BASE SHAFT FRONT METAL	1
47	101.3-7	NEEDLE BAR CONNECTION	1
48	GC5880.4-17	SCREW	1
49	101.3-29	THRED RACK. RIGHT	1
50	GC5580.3-11	SCREW	1
51	DPx5 #10	NEEDLE(DPx5 #10)	1
52	DPX5#14	NEEDLE (DPX5#14)	1
53	101.3-1	NEEDLE ROD	1
54	545.2-3	NEEDLE ROD CRANK	1
55	545.2-4	RUBBER	1
56	545.2-4	COUPLING	1

4.
NEEDLE VIBRATOR COMPONENTS



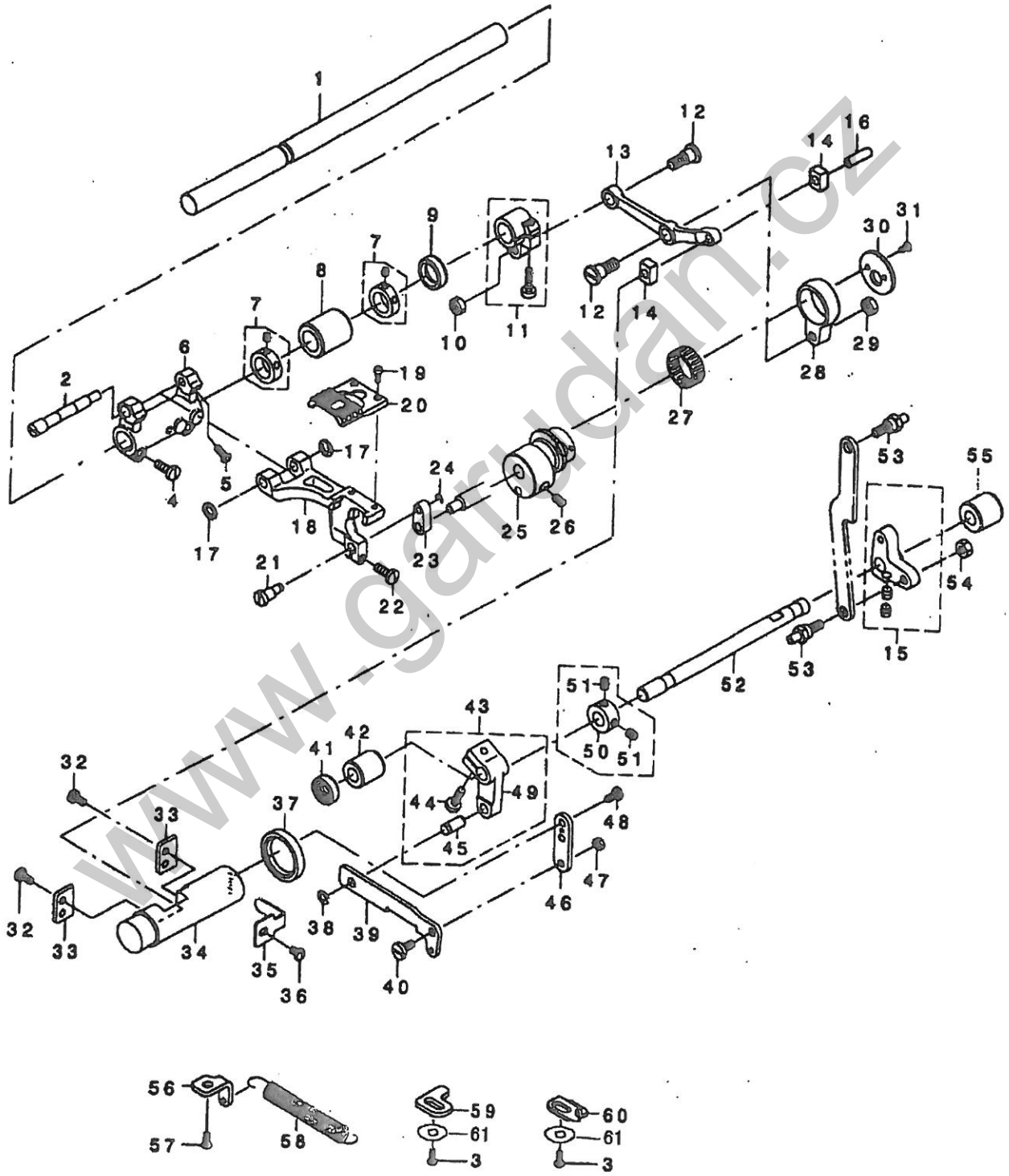
		DESCRIPTION	
1	101.4-5	SCREW	2
2	501GA109	CABLE BAND	1
3	101.4-9	CORD CLAMP	1
4	101.4-7	SCREW	4
5	1114.4-4	PULSE MOTOR	1
6	1114.4-2	NEEDLE VIBRATOR UNIT BASIS	1
7	101.4-10	SENSOR FITTING PLATE	1
8	101.4-11	SCREW	1
9	1114.4-5	ZERO SENSOR A ASM.	2
10	GB65 M2.5X8	SCREW	1
11	101.4-14	SCREW	1
12	1114.4-3	MOTOR LINK	1
13	101.4-16	SCREW	1
14	101.4.1	SHAFT CONNECTION LINK ASM	1
15	101.4-15	NEEDLE VIBRATOR JUNCTION ROD	1
16	C.2-2	SCREW	2
17	101.4-21	SCREW	1
18	101.4-20	SENSOR SLIT	1
19	101.4-19	SHAFT CONNECTION PIN	1
20	101.4-17	SUPPORT BASE SHAFT CONNECTION	1
21	GB848-5	WASHER	1
22	101.4-18	SCREW	1
23	101.4-1	NEEDLE VIBRATOR UNIT COVER	1
24	101.4-4	SCREW	2
25	101.4-2	SCREW	4

5.
HAND LIFTER COMPONENTS



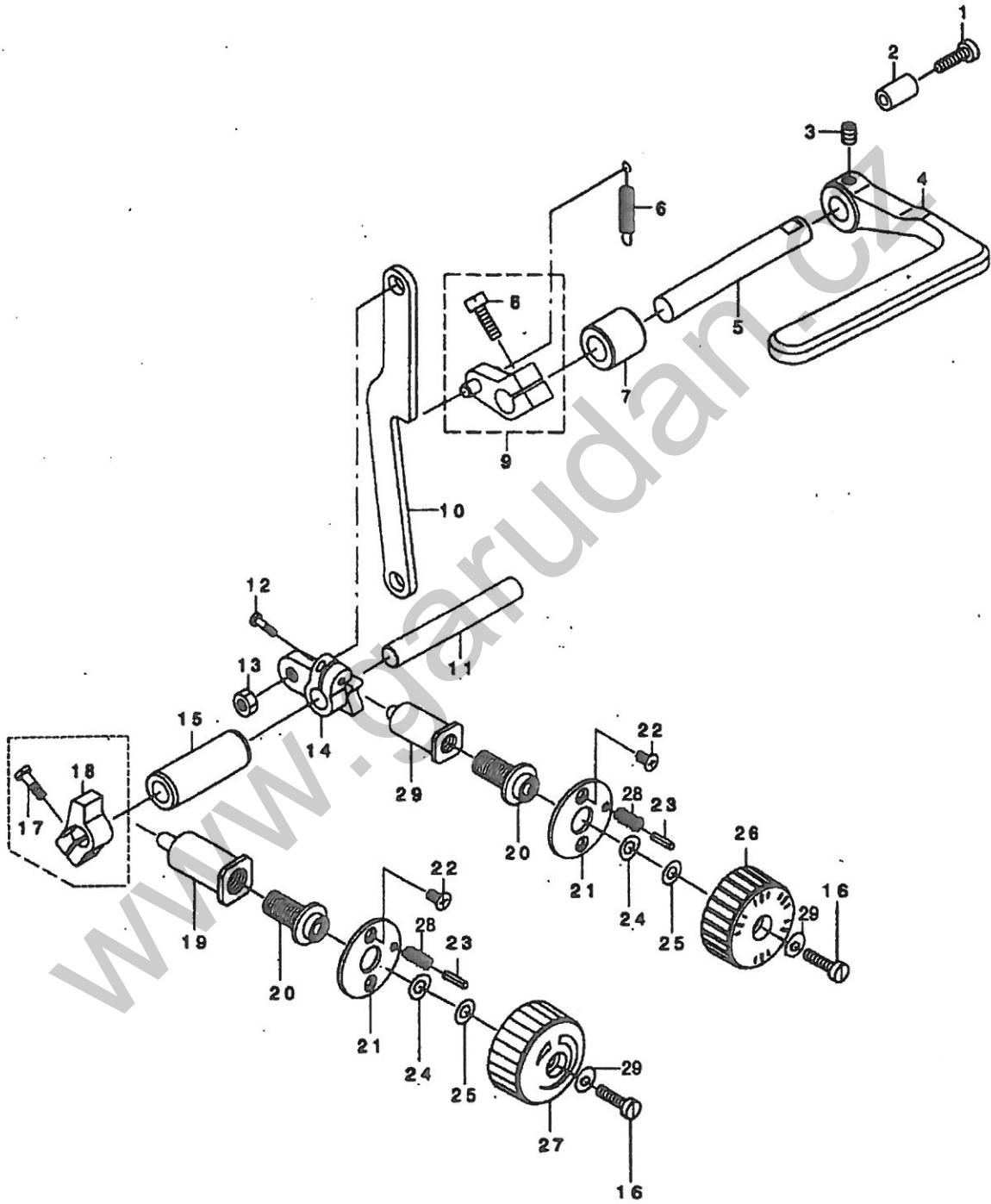
		DESCRIPTION	
1	17.4-4	PRESSER SPRING REGULATOR	1
2	GC5580.4-5	NUT	1
3	80-1/3-27	PRESSER GUIDE BAR	1
4	80-1/3-18	PRESSER SPRING REGULATOR	1
5	217.4-5	BUSHING	1
6	217.4-5	SCREW	1
7	201.1-27	PRESSER BAR GUIDE BRACKET	1
8	101.5-10	PRESSER BAR GUIDE BRACKET	1
9	GC5580.4-17	SCREW	1
10	101.5.1	PRESSER FOOT ASM.	1
11	GC5580.4-8	SCREW	1
12	GC5580.4-10	HAND LIFTER	1
13	GC5580.4-9 O	RUBBER RING	1
14	101.5.2	HAND LIFTER CAM COMPL.	1
15	GB896 5	B-RING	1
16	101.21-3	CONNECTING ROD HINGE SCRE	1
17	101.5-2	KNEE LIFTING LINK STEP-SCREW	1
18	101.5-3	簧 KNEE LIFTING LINK SPRING	1
19	101.5-3	KNEE LIFTING LINK SPRING	1
20	101.5-4	HINGE SCREW	1
21	101.5-7	SWIVEL	1
22	101.5-8	NUT	1
23	101.5-9	KNEE LIFTING JUNCTION ROD	1
24	101.5-1	KNEE LIFTING SIDE ROD LINK	1
25	101.5-18	HINGE SCREW	1
26	GC5600NL.5-5	SCREW	1
27	101.5-19	SCREW	1
28	101.5-16	HINGE PIN	1
29	101.5-17	LIFTING LEVER LINK	1
30	GB896 6	SNAP RING	2
31	101.5-12	LIFTING LEVER	1
32	101.5-13	HINGE SCREW	1
33	101.5-14	HINGE SCREW	1

6.
FEED MECHANISM COMPONENTS I



DESCRIPTION			
1	101.6-19	HORIZONTAL FEED SHAFT	1
2	101.6-29	FEED BASE SHAFT	1
3	101.1-40	SCREW	2
4	101.4-18	SCREW	2
5	101.2-2	SCREW	2
6	217.3-8	FEED ROCKER	1
7	101.6-18	THRUST COLLAR ASM.	2
8	217.3-8	FEED ROCKER SHAFT METAL	1
9	217.3-6	OIL SEAL	1
10	GC5580.6-16	NUT	1
11	101.6-18	FEED ROCKER SHAFT CRANK ASM.	1
12	101.6-15	SCREW	2
13	101.6-6	CONNECTING ROD	1
14	101.6-5	FEED DRIVING ROCKER BLOCK	2
15	101.6-22	FEED CHANGE ARM B ASM.	1
16	101.6-4	PIN	1
17	C.6-14	SPACER	2
18	101.6-22	FEED BASE SHAFT	1
19	101.6-34	SCREW	2
20	101.6-33	FEED DOG	1
21	101.6-31	LINK SHAFT	1
22	101.4-18	SCREW	1
23	101.6-30	LINK	1
24	GB896 3	E-RING	1
25	101.6-27	HORIZONTAL FEED CAM	1
26	GC5580.2-11	SCREW	2
27	101.6-26	BEARING	1
28	101.6-24	ROD	1
29	GC5580.6-16	NUT	1
30	101.6-25	HORIZONTAL FEED CAM COVER	1
31	101.6-11	SCREW	2
32	101.6-2	SCREW	4
33	101.6-1	PLATE A	2
34	101.6-1	FEED ADJUSTING	1
35	101.6-8	FEED ADJUSTING PRESSER	1
36	101.6-7	SCREW	1
37	101.6-9	FEED ADJUSTING OIL SEAL	1
38	GB896 6	E-RING	1
39	101.6-37	FEED REVERSAL LINK	1
40	101.6-38	SCREW	1
41	101.6-39	FEED CHANGING SHAFT OIL SEAL	1
42	217.5-1	METAL.A	1
43	101.6.1	FEED CHANG ARM A ASM.	1
44	101.4-18	SCREW	1
45	101.6.1-1	FEED ADJUSTING LINK PIN	1
46	101.6-35	FEED ADJUSTING ARM	1
47	L.6-17	NUT	1
48	101.6-38	SCREW	1
49	101.6.1-2	FEED CHANGE ARM A	1
50	101.6-20	THRUST COLLAR	1
51	201.5.9-2	SCREW	12
52	101.6-21	FEED CHANGE SHAFT	1
53	217.5.6-2	SCREW	2
54	L.3-26	NUT	1
55	101.6-23	METAL.B	1
56	101.6-14	FEED SPRING RACK	1
57	101.1-40	SCREW	1
58	101.6-30	FEED ADJUSTING SPRING	1
59	101.6-13	REGULATE PLATE	1
60	101.6-10	REGULATE PLATE	1
61	GB848-85 6	WASHER	2

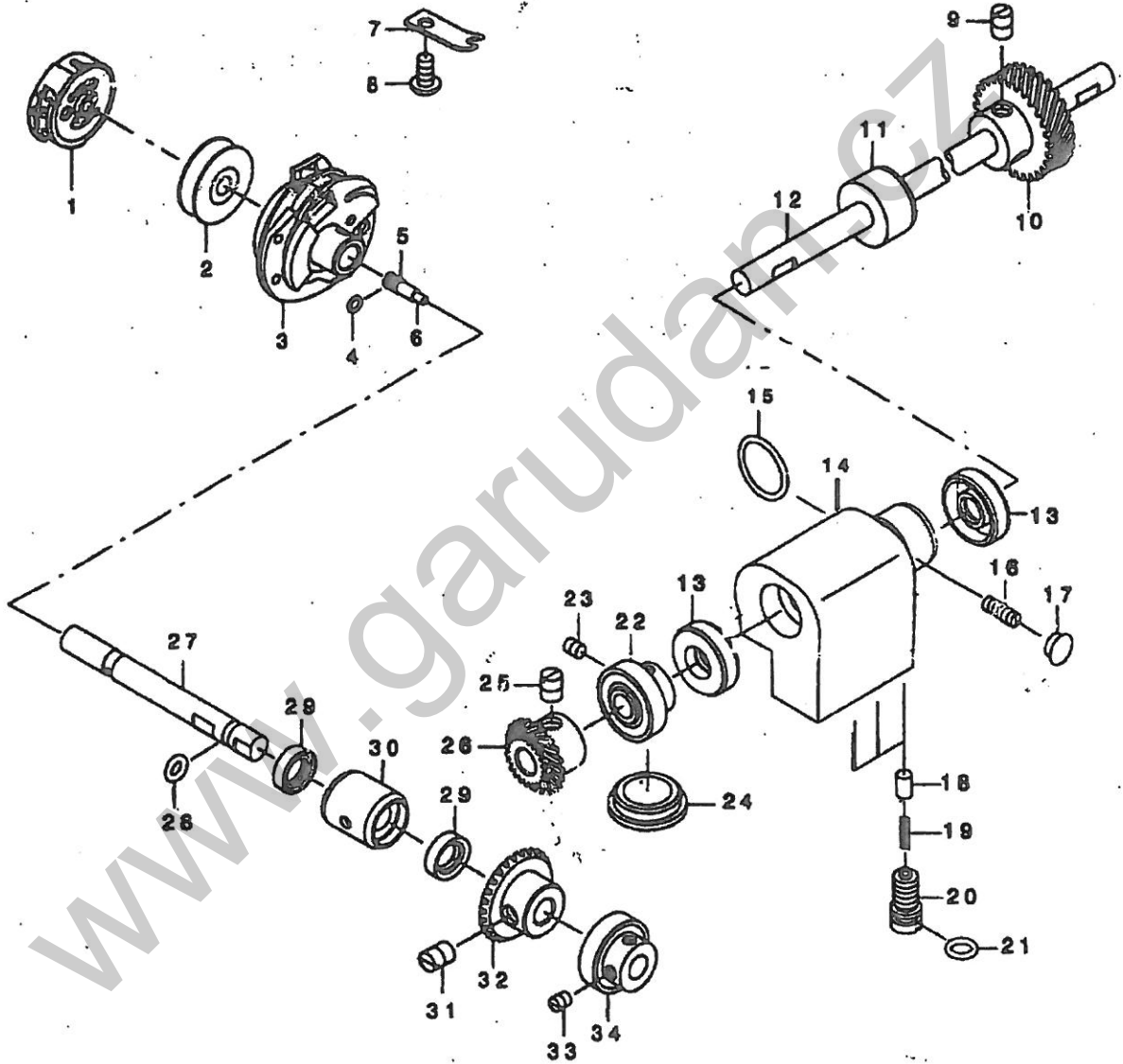
7. FEED MECHANISM COMPONENTS(2)



DESCRIPTION

1	GC5580-D3.7-4	SCREW	1
2	GC5580-D3.7-3	REVERSE FEED LEVER STOPPER	1
3	C.2-4	SCREW	2
4	217.5.2-2	FEED LEVER	1
5	217.5.2-1	FEED LEVER SHAFT	1
6	101.7-4	SPRING	1
7	101.7-5	FEED LEVER SHAFT METAL	1
8	GC5580.6-14	SCREW	1
9	217.5.5	FEED LEVER ARM ASM.	1
10	101.7-3	FEED ADJUSTING ROD	1
11	101.7-2	FEED ADJUSTING SHAFT	1
12	101.4-18	SCREW	1
13	L.3-26	NUT	1
14	101.7-12	FEED BLIND CONTROLLER	1
15	101.7-1	FEED ADJUSTING SHAFT METAL	1
16	GC999.3.9-3	SCREW	2
17	101.4-18	SCREW	1
18	101.7-15	CONDENS STOPPER	1
19	101.7-14	CONDENS ADJUSTING SHAFT	1
20	101.7-10	FEED ADJUSTING SCREW	2
21	101.7-6	FEED ADJUSTING BASE	2
22	101.7-7	SCREW	4
23	GC999.3-58	SPRING PIN	2
24	101.7-8	WAVED WASHER	2
25	101.7-9	WASHER	2
26	1114.7-1	FEED DIAL	1
27	1114.7-2	CONDENS DIAL	1
28	GC999.5-59	SPRING	2
29	GC999.3.9-5	SCREW	2

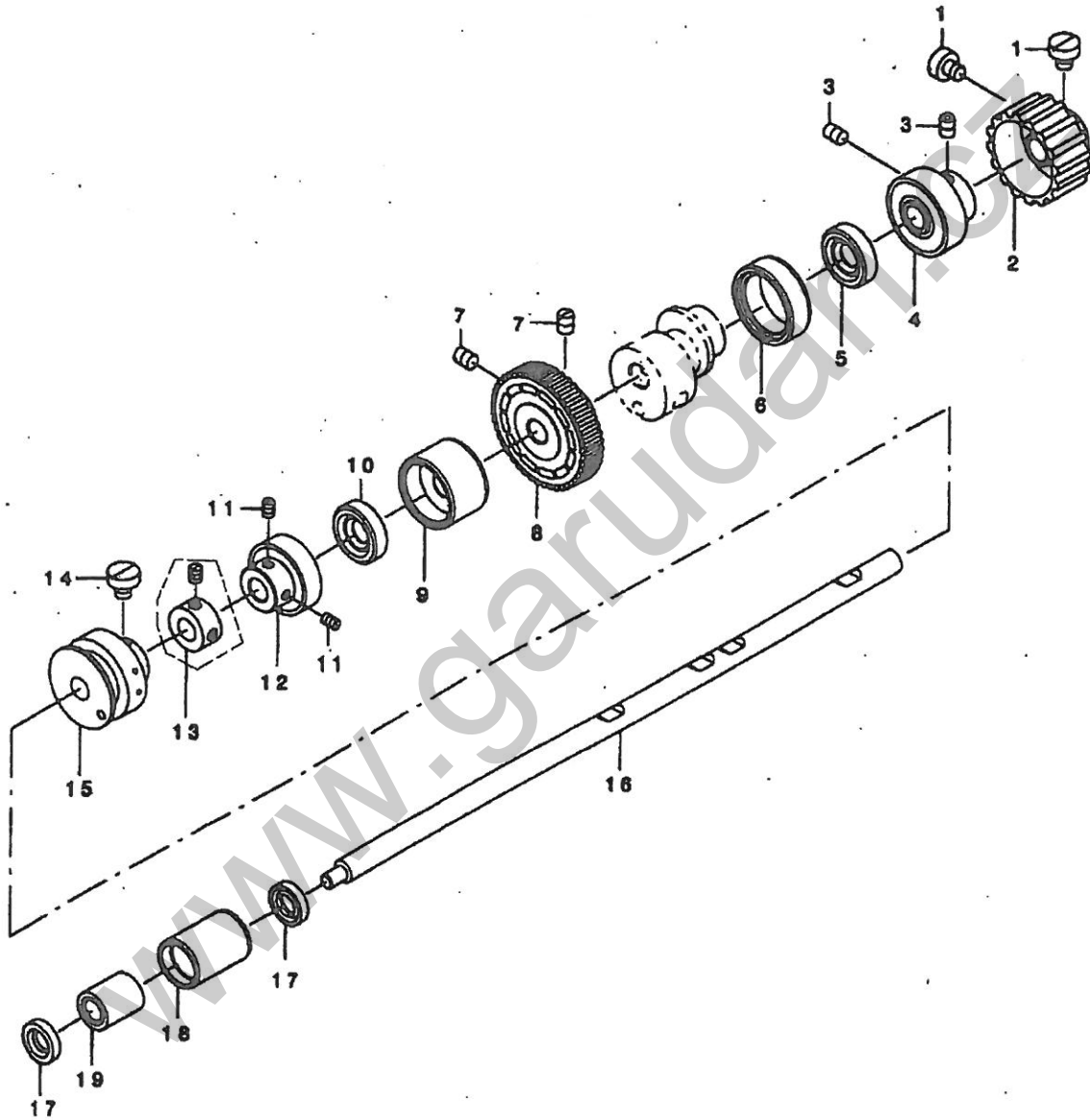
8. HOOK DRIVING SHAFT COMPONENTS I



DESCRIPTION

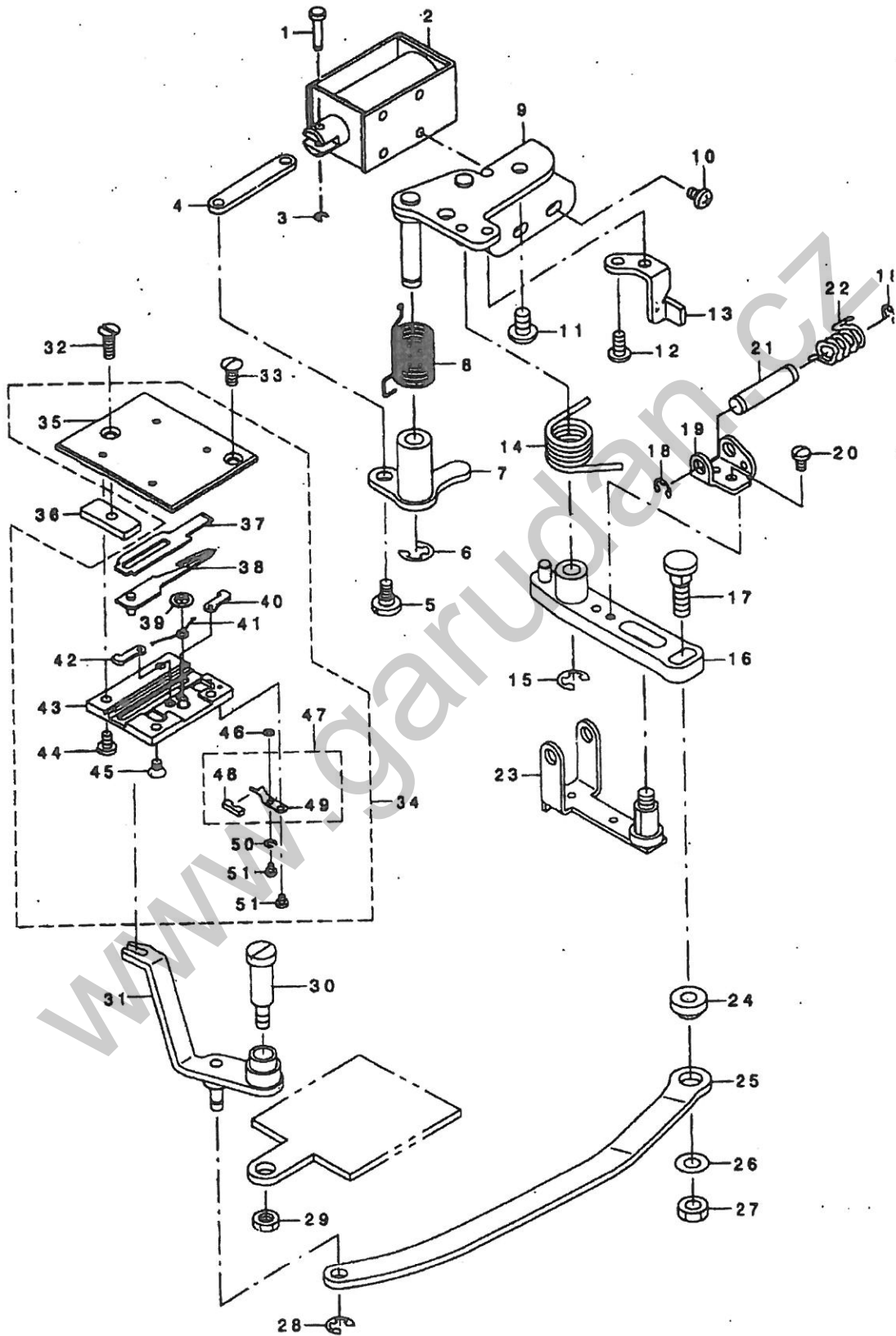
1	101.8-20	BOBBIN CASE ASM.	1
2	C.5-27	BOBBINS	1
3	101.8.1	HOOK COMPL. V	1
4	101.8-2	RUBBER RING	1
5	GC5580.5-15	SCREW	1
6	GC5580.2-1	OIL WICK 1	1
7	101.8-1	INNER HOOK STOPPER	1
8	GC5580.5-3	SCREW	1
9	GC5580.4-18	SCREW	2
10	101.8-13	HOOK DRIVING GEAR	1
11	101.8-12	HOOK DRIVING SHAFT REAR METAL	1
12	102.1-1	HOOK DRIVING SHAFT	1
13	217.3.8-2	HOOK DRIVING SHAFT OIL SEA	2
14	102.1.4	PUMP METAL ASM.	1
15	101.8-11	RUBBER RING	1
16	101.8-14	SCREW	1
17	101.1-25	PLUG	1
18	101.8-15	PLUNGER	3
19	101.8-16	RUBBER SPRING	3
20	101.8-17	SCREW	3
21	101.8-18	RUBBER RING	2
22	NSK690ZZ	HOOK SHAFT BEARING ASM.	1
23	101.8-8	SCREW	2
24	101.8-19	RUBBER PLUG	1
25	GC5580.4-18	SCREW	2
26	GC5580.5-15	HOOK GEAR	1
27	101.8-5	HOOK SHAFT	1
28	101.8-6	RUBBER RING	1
29	101.8-4	HOOK SHAFT OIL SEAL	2
30	101.8-3	HOOK SHAFT FRONT METAL	1
31	GC5580.4-18	SCREW	2
32	GC5580.5-14	HOOK GEAR	1
33	101.8-8	SCREW	2
34	NSK6901ZZ	HOOK SHAFT BEARING ASM.	1

9.
HOOK DRIVING SHAFT COMPONENTS II



		DESCRIPTION	
1	101.9-2	SCREW	2
2	101.9-1	LOWER SHAFT SPROCKET	1
3	01.3-13	SCREW	2
4	NSK6202ZZ	LOWER SHAFT REAR BEARING ASM.	1
5	101.9-11	OIL SEAL	1
6	101.9-4	LOWER SHAFT REAR BUSH	1
7	GC5580.4-18	SCREW	2
8	101.9.1	HOOK DRIVING GEAR	1
9	101.9-6	LOWER SHAFT INNER METAL	1
10	101.9-22	OIL SEAL	1
11	GC80-1/2-24	SCREW	2
12	NSK6002ZZ	LOWER SHAFT INNER BEARING ASM.	1
13	101.6-20	THRUST COLLAR ASM.	1
14	101.9-2	SCREW	2
15	101.9-8	THREAD TRIMMER CAM	1
16	101.9-5	LOWER SHAFT	1
17	101.9-10	OIL SEAL	2
18	101.9-9	LOWER SHAFT FRONT BEARING BUSH	1
19	IK0GTA1020ZZ	BEARING A 10	1

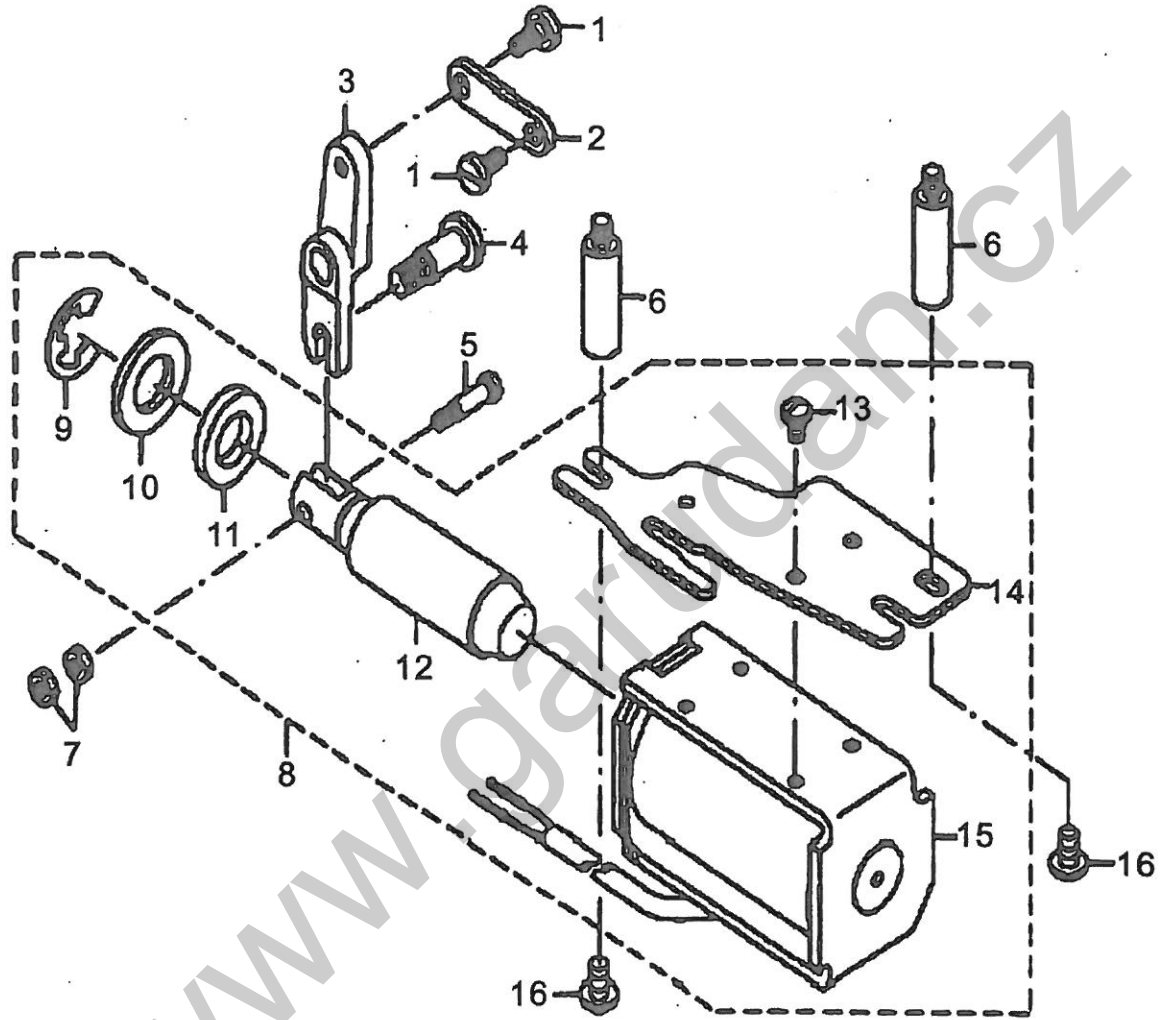
10. THREAD TRIMMER MECHANISM COMPONENTS



DESCRIPTION

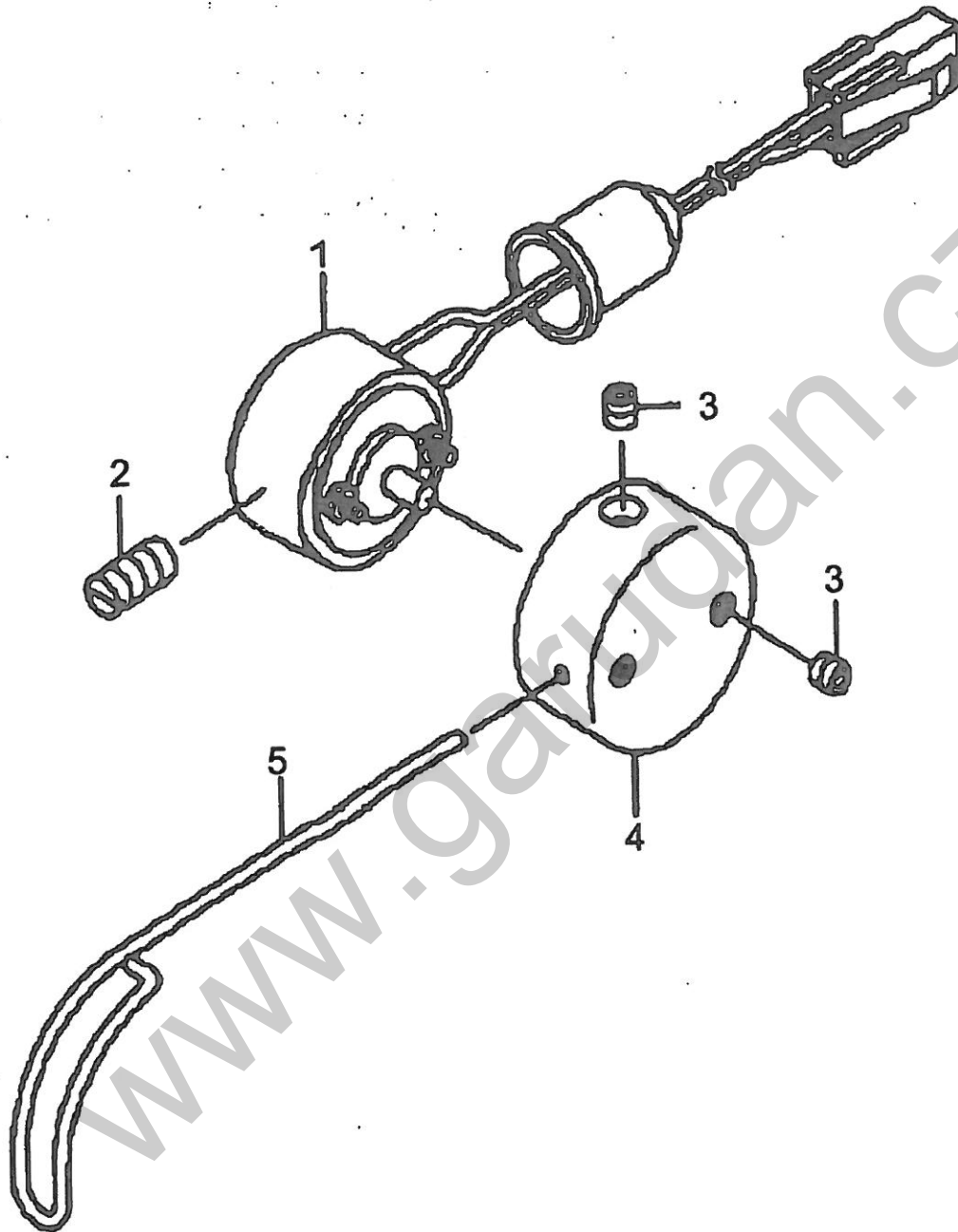
1	1101.10-1	CLUTCH LINK PIN	1
2	101.10-3	THREAD TRIMMER SOLENOID	1
3	GB896 2.5	E-RING	1
4	101.10.2-8	CLUTCH LINK	1
5	101.10.2-7	HING SCREW	1
6	GC5580-D3.8.3-1	E-RING	1
7	101.10.2.2	CLUTCH PLATE ASM	1
8	101.10.2-6	CLUTCH RETURN SPRING	1
9	101.10.2-1	BASE PLATE ASM	1
10	GB/T818 M4X6	SCREW	3
11	101.1-40	SCREW	2
12	C.2-24	SCREW	2
13	101.10.2-5	DRIVING ARM STOPPER	1
14	101.10.2-3	KNIFE RETURN SPARING	1
15	GC5580-D3.8.3-1	E-RING	1
16	GC5580-D3.8.3.2.1	KNIFE DRIVING ARM ASM	1
17	101.10.2-2	MOVING KNIFE LINK PIN	1
18	GC5580-D3.7.1-6	E-RING	2
19	GC5580-D3.8.3.2-2	ROLLER ARM SEAT	1
20	GC80-1/2.27	SCREW	1
21	GC5580-D3.8.3.2-3	ROLLER FULCRUM SHAFT	1
22	GC5580-D3.8.3.2-1	ROLLER RETURN SPRING	1
23	GC5580-D3.8.3.2.2	ROLLER ARM ASM	1
24	101.10.2-1	MOVING KNIFE LINK BASE	1
25	101.10.2-4	MOVING KNIFE LINK	1
26	GC5580-D3.8.3-7	WASHER	1
27	GC5580-D3.8.3-8	NUT	1
28	GB896 4.5	E-RING	1
29	L.3-26	NUT	1
30	101.10-4	HINGE SCREW	1
31	101.10.3	FORK KNIFE ASM	1
32	101.10-7	SCREW	1
33	101.10-5	SCREW	1
34	101.10.1	KNIFE UNIT	1
35	101.10.1-4	SLIDING PLATE	1
36	101.10-6	FIXED PLATE	1
37	101.10.1-7	FIXED KNIFE	1
38	101.10.1.2	DRIVING KNIFE ASM	1
39	101.10.1-10	LOCATING SPRING WASHER	1
40	101.10.1-8	KNIFE STOPPER, RIGHT	1
41	101.10.1-9	SPRING	1
42	101.10.1-11	KNIFE STOPPER, LEFT	1
43	101.10.1-3	KNIFE BASE	1
44	101.10.1-5	SCREW	2
45	101.10.1-6	SCREW	2
46	101.10.1-2	WASHER	1
47	101.10.1-1	CLAMP PLATE ASM	1
48	101.10.1.1-1	FELT	1
49	101.10.1.1-2	CLAMP PLATE	1
50	GB/T93 2.5	SPRING WASHER	1
51	101.10.1-1	SCREW	2

11. AUTOMATIC REVERSE FEED MECHANISM COMPONENTS



		DESCRIPTION	
1	101.11-5	HINGE SCREW	2
2	101.11-4	AUTOMATIC REVERSE FEED ARM	1
3	101.11-6	AUTOMATIC REVERSE FEED ARM	1
4	101.11-7	HINGE SCREW	1
5	101.11-2	PLUNGER ARM PIN	1
6	101.11-3	BELT COVER STUD	2
7	101.11-5	NTU	2
8	101.11.1	SOLENOID BASE ASM	1
9	GB896 12	E-RING	1
10	101.11.1-2	WASHER	1
11	101.11.1-3	RUBBER PLUNGER	1
12	101.11.1-1	REVERSE FEED SOLENOID PLUNG	1
13	C.1-6	SCREW	3
14	101.11-1	REVERSE FEED SOLENOID BASE	1
15	101.11.1-4	REVERSE FEED SOLENOID	1
16	101.1-40	SCREW	2

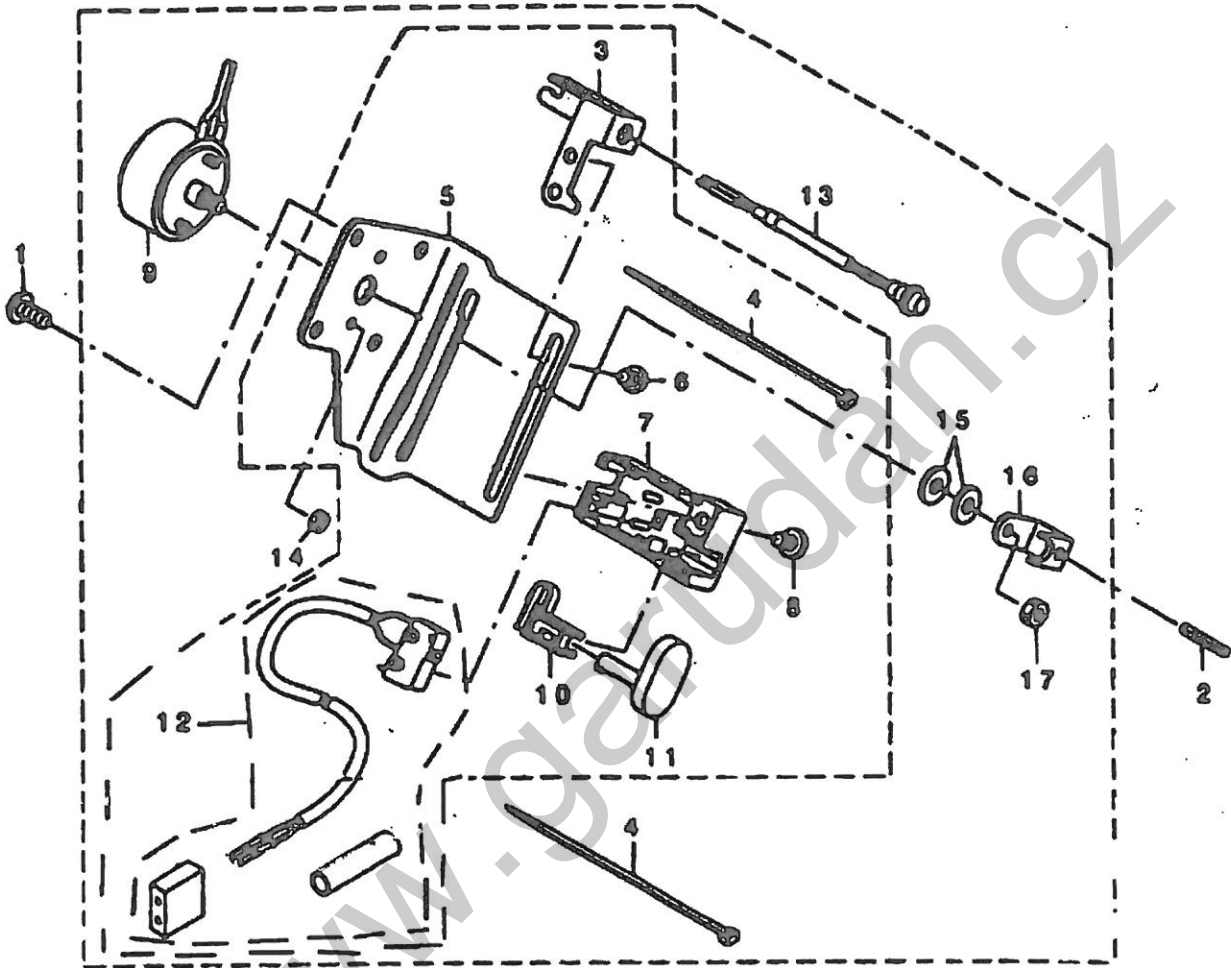
12. THREAD FEEDER COMPONENTS



		DESCRIPTION	
1	1101.12-3	FEEDER SOLENOID ASM	1
2	101.3-26	SCREW	1
3	101.12-1	SCREW	3
4	101.12-4	FEEDER WIRE FITTING BASE	1
5	101.12-2	FEEDER WIRE	1

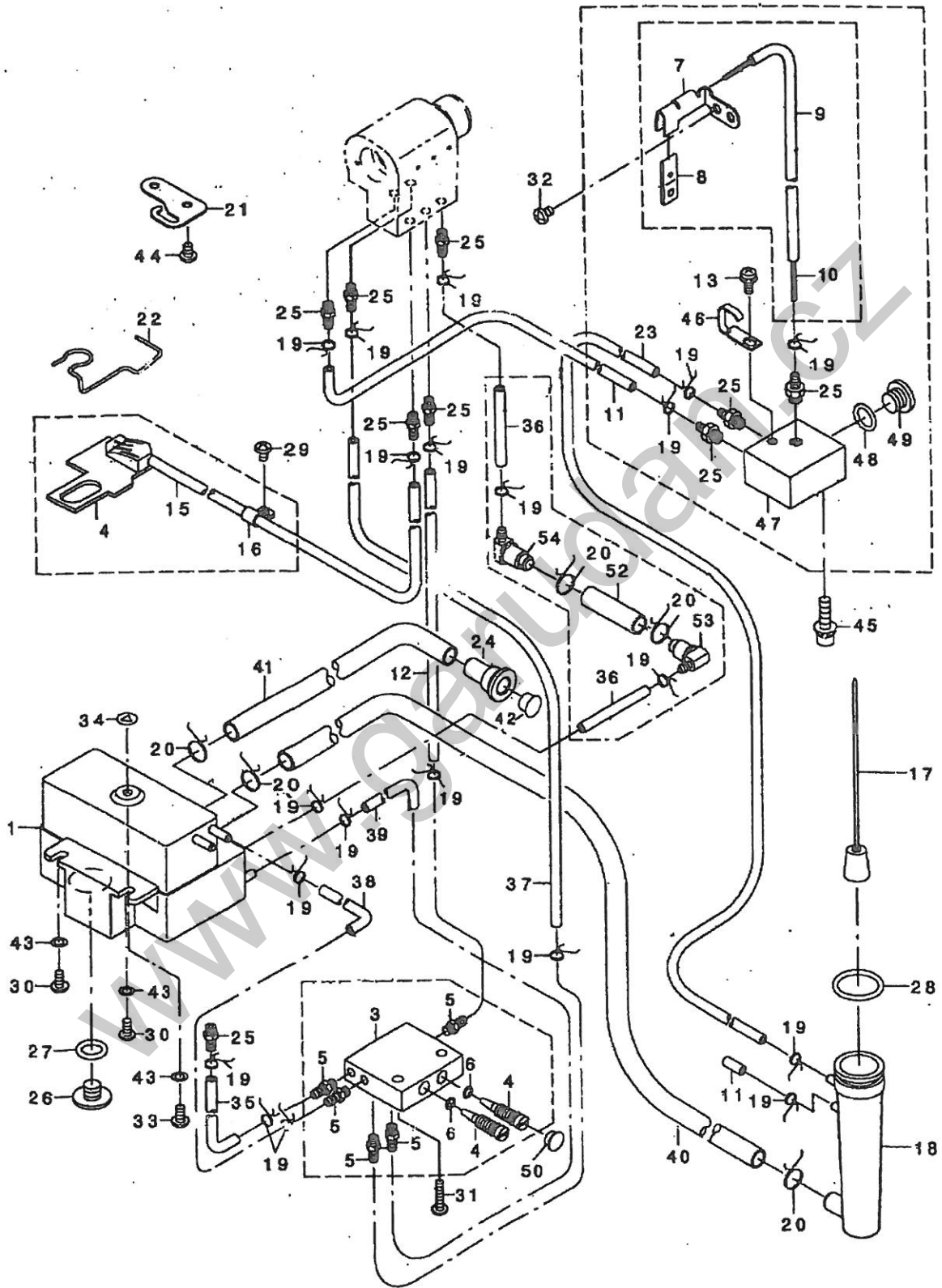
www.garudan.cz

13.
THREAD RELEASE SOLENOID COMPONENTS



		DESCRIPTION	
1	101.1-30	SCREW	4
2	GB/T119 A3X20	SPRING PIN	1
3	101.13-4	MANUAL SWITCH BASE GUIDE	1
4	501GA109	CABLE BAND	1
5	101.13.1-1	MANUAL SWITCH BASE	1
6	101.13.2	SCREW	1
7	101.13.3-1	REVERSE FEED SWITCH COVER	1
8	GB67 M3X6	SCREW	1
9	101.13.1.1	THREAD RELEASE SOLENOID COMPL.	1
10	101.13.3-2	REVERSE FEED SWITCH SUPPORT	1
11	101.13.3-3	REVERSE FEED SWITCH SHAFT	1
12	1114.22.3.3	REVERSE FEED CORD ASM	1
13	1114.22.2-8	SW LED CABLE A ASM	1
14	GB/T6170 M3	NUT	2
15	101.13-1	FRAME SIDE COVER GASKET	2
16	101.13-2	THREAD RELEASE PUSH PLATE	1
17	Gb6170	NUT	1

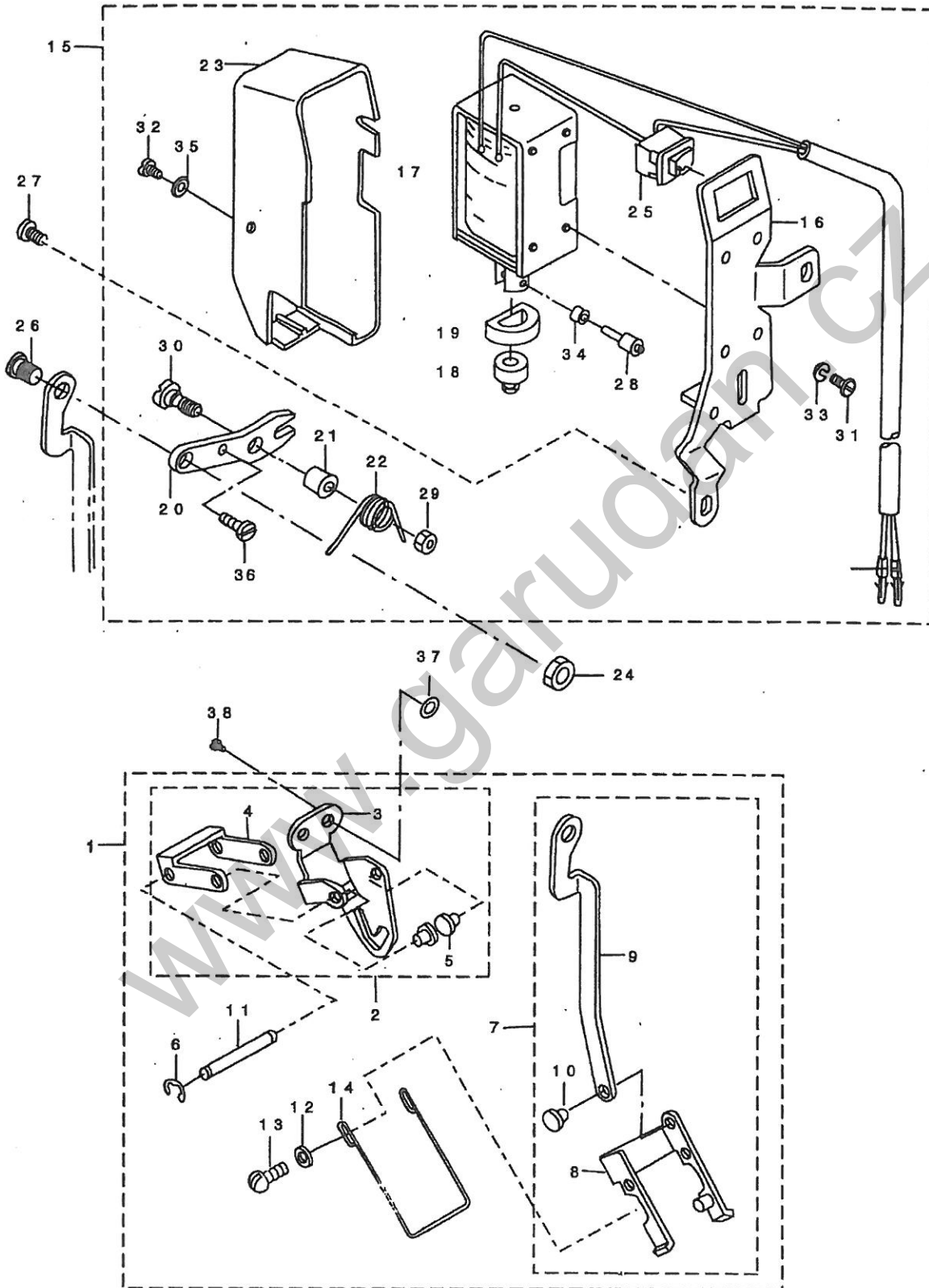
14. LUBRICATION COMPONENTS



DESCRIPTION

1	102.1.3	OIL TANK ASM.	1
2	102.1.2	HOOK OIL REGULATING ASM.	1
3	102.1.2-1	HOOK OIL REGULATING	1
4	101.14.2-2	HOOK OIL REGULATING SCREW	2
5	101.14-7	LUBRICATION CONNECTOR	6
6	101.14.2-3	RUBBER RING	2
7	101.14-25	FACE LUBRICATION PRESSER	1
8	101.14-17	BALANCE LUBRICATING	1
9	102.1-8	TUBE	1
10	102.1-9	OIL WICK	1
11	102.1-4	TUBE	1
12	102.1-2	TUBE	1
13	101.14-33	SCREW	1
14	101.14-28	ONCE THROUGH OIL FELT	1
15	101.14-6	TUBE	1
16	80-1/6-21	HOLDER	1
17	101.14.3	FLOATER ASM.	1
18	101.14-23	FLOATER CASE	1
19	101.14-22	PIPE STOPPER A	20
20	101.14-24	PIPE STOPPER B	3
21	101.14-12	LUBRICATION TANK PIPE GUIDE	1
22	101.14-27	ONCE THROUGH OIL FELT PRESSER	1
23	101.14-32	TUBE	1
24	101.14-10	OIL INLE	1
25	101.14-7	LUBRICATION CONNECTOR	8
26	101.14-30	SCREW	1
27	101.14-29	RUBBER RING	1
28	101.14-21	RUBBER RING	1
29	101.14-26	SCREW	1
30	101.1-7	SCREW	2
31	101.4-18	SCREW	2
32	101.14-26	SCREW	1
33	C:1-7	SCREW	1
34	101.14-14	STOPPER	1
35	101.14-16	TUBE	1
36	102.1-6	TUBE	2
37	101.14-5	TUBE	1
38	102.1-7	TUBE	1
39	102.1-3	2 TUBE	1
40	101.14-13	TUBE B	1
41	101.14-11	TUBE B	1
42	101.14-9	RUBBER PLUG	1
43	101.14-14	WASHER	3
44	101.1-6	SCREW	2
45	101.1.6	SCREW	2
46	101.1-42	LUBRICATING OIL WICK STOPPER	1
47	101.14-31	OIL BOX	1
48	101.1-37	RUBBER RING	1
49	101.1-36	SCREW	1
50	101.1-25	RUBBER PLUG	1
51	101.14-34	RUBBER PLUG	1
52	102.1-5	TUBE	1
53	102.1.5-1	DISTRIBUTOR	1
54	102.1.5	DISTRIBUTOR ASM.	1

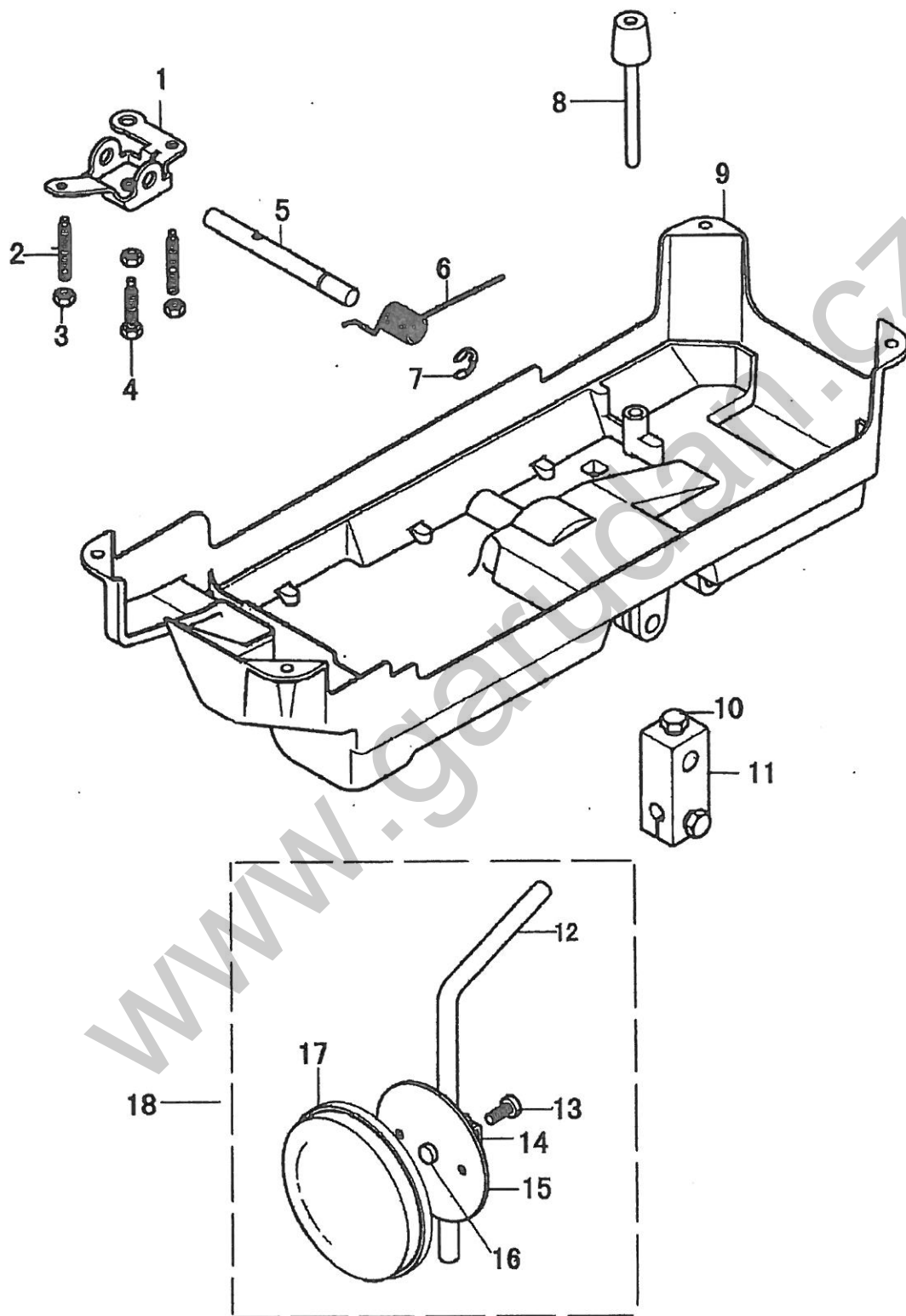
15. WIPER MECHANISM COMPONENTS



DESCRIPTION

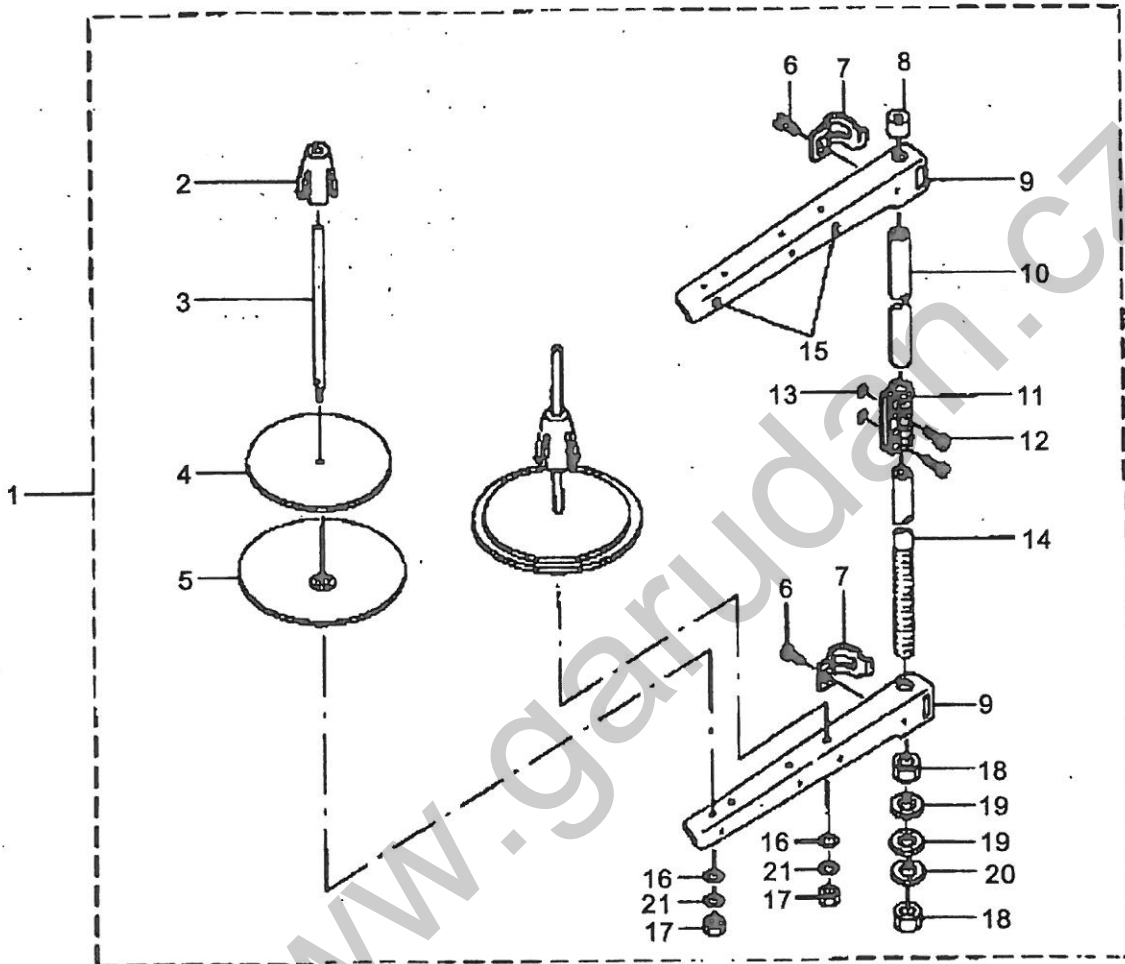
1	101.15.2	WIPER ASM	1
2	101.15.2.2	WIPER BASE ASM	1
3	101.15.2.2-21	WIPER BASE	1
4	101.15.2.2-1	WIPER LINK 1	1
5	101.15.2.2-3	PIN	2
6	GB896 3	E-RING	2
7	101.15.2.1	WIPER LINK COMPL	1
8	101.15.2.1-4	WIPER LINK ASM.2	1
9	101.15.2.1-1	WIPPER LINK	1
10	101.15.2.1-3	PIN	1
11	101.15.2-1	WIPER LINK SHAFT	1
12	101.15.2-2	WASHER	2
13	101.15.2-3	SCREW	2
14	101.15.2-4	WIPER	1
15	101.15.1	WIPER SOLENOID ASM	1
16	101.15.1-1	WIPER BASE	1
17	101.15.1-3	WIPER SOLENOID	1
18	GC5580-D3.9-14	WIPER RUBBER A	1
19	GC5580-D3.9-15	WIPER RUBBER B	1
20	101.15.1-4	WIPER LINK	1
21	GC5580-D3.9-10	WIPER HINGE SCREW COLLAR	1
22	GC5580-D3.9-9	WIPER SPRING	1
23	GC5580-D3.9-1	WIPER COVER	1
24	101.1-9	NUT	1
25	101.15.1-3	POWER SWITCH	1
26	101.15-1	HINGE SCREW	1
27	101.1-6	SCREW	2
28	GC5580-D3.9-12	WIPER SOLENOID PIN	1
29	GC5580-D3.9-2	NUT	1
30	101.15.1-5	HINGE SCREW	1
31	GB818 M3X6	SCREW	4
32	GB818 M3X6	SCREW	1
33	GB93 3	SPRING WASHER	4
34	GC5580-D3.9-13	WIPER LINK COLLAR	1
35	GB848 3	WASHER	1
36	101.15.1-2	SCREW	1
37	101.15-2	WASHER	2
38	545.1-10	SCREW	1

16. UNDER COVER COMPONENTS



		DESCRIPTION	
1	217.6-3	BRACKET	1
2	GC5580.9.1-8	SCREW	2
3	GC5580.9.1-9	NUT	2
4	GC5580.9.1-16	SCREW	1
5	217.6-9	KNEE PRESS ROD	1
6	217.6-2	SPRING	1
7	GC5580.9.19	E-RING	1
8	217.6-5	KNEE LIFTER PRESSER ROD	1
9	217.6-1	UNDER COVER ASM	1
10	GC5580.9.1-6	SCREW	2
11	GC55580.9.1-7	BRACKET	1
12	GC5580.9.2-4	KNEE PAD UPRIGHT SHAFT	1
13	GC5580.9.1-6	SCREW	1
14	GC5580.9.2-5	KNEE PAD PLATE SUPPORT	1
15	GC5580.9.2-2	KNEE PAD PLATE ASM	1
16	GC5580.9.2-3	KNEE PAD PLATE RUBBER	1
17	GC5580.9.2-1	KNEE PAD PLATE COVER	1
18	GC5880.9.2	KNEE PAD PLATE ASM	1

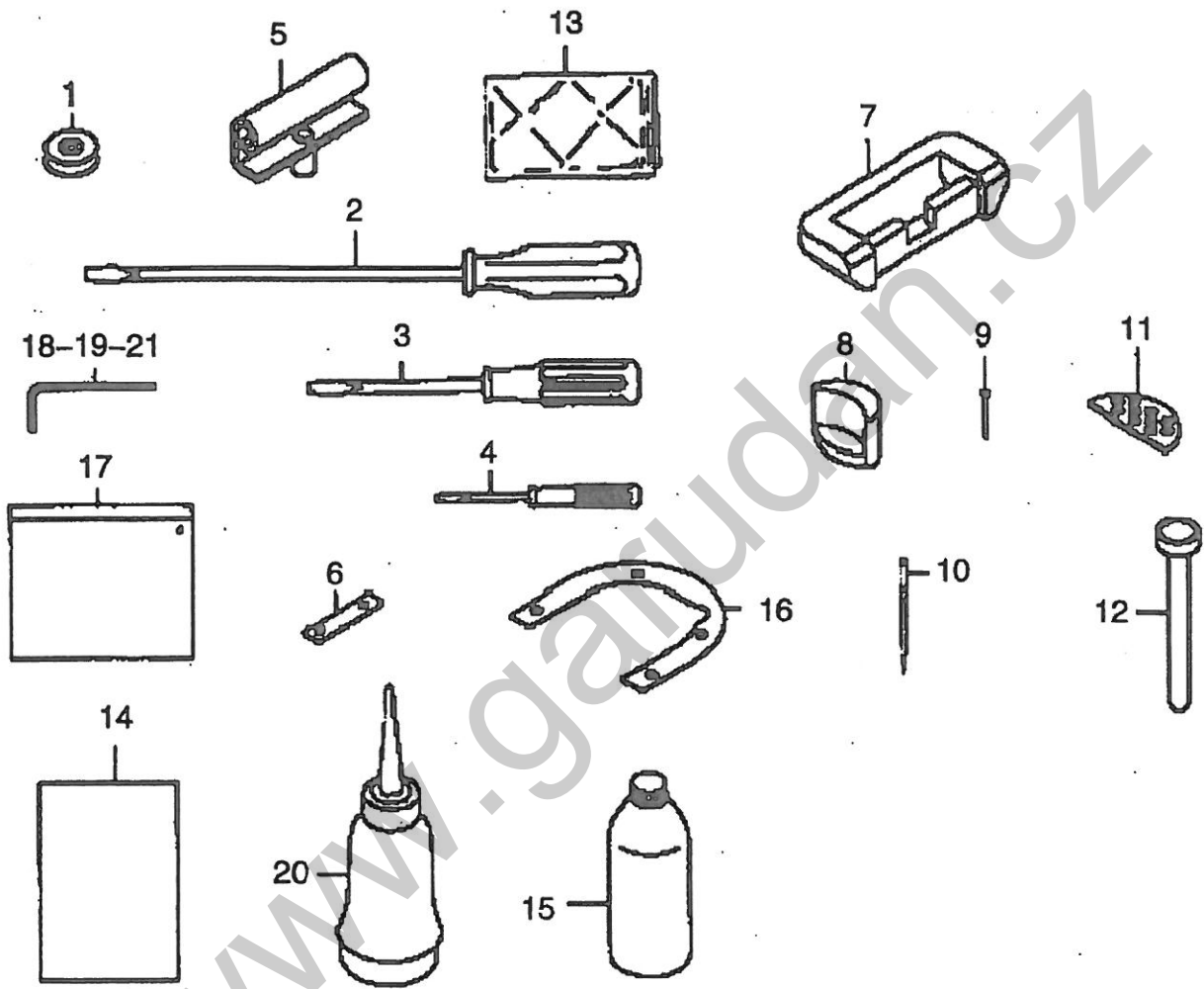
17.
THREAD STAND COMPONENTS



DESCRIPTION

1	GC5580.10.2	THREAD STAND ASM	1
2	GC5580.10.2-13	SPOOL RETAINER	2
3	GC5580.10.2-14	SPOOL PIN	2
4	GC5580.10.2-6	SPOOL REST CUSHION	2
5	GC5580.10.2-11	SPOOL REST	2
6	GB832 M6X16	SCREW	2
7	GC5580.10.2-2	THREAD GUIDE ARM JOINT	2
8	GC5580.10.2-1	SPOOL REST ROD RUBBER CAP	1
9	GC5580.10.2-10	SPOOL REST ARM	2
10	GC5580.10.2-3	SPOOL REST ROD , UPPER	1
11	GC5580.10.2-5	SPOOL REST ROD JOINT	1
12	GB823 M5X14	SCREW	2
13	GB6170 M5	NUT	2
14	GC5580.10.2-6	SPOOL REST ROD , LOWER	1
15	GC5580.10.2-15	THREAD GUIDE	2
16	GB93-87 5	SPRING WASHER	2
17	GB6170 M5	NUT	2
18	GC5580.10.2-7	NUT	2
19	GC5580.10.2-8	WASHER	2
20	GC5580.10.2-9	SPRING WASHER	1
21		WASHER	2

18. ACCESSORIES PART COMPONENTS



DESCRIPTION

1	C.5-27	BOBBINS	1
2	GC5580.11-18	SCREW DRIVER. LARGE	1
3	GC5580.11-19	SCREW DRIVER, MIDDLE	1
4	GC5580.11-20	SCREW DRIVER, SMALL	1
5	GC5580.11-1(2x)	HINGE COMPL	3
6	101.18-1	SPACER	1
7	GC5580.11-2(2x)	RUBBER CUSHION	3
8	GC5580.9.1-11	FRAME BUBBER CUSHION	2
9	GC5580.9.1-14(8x)	NAIL	8
10	DPX5#14(4x)	NEEDLE	1
11	GC5580.9.1-13	WASHER	2
12	217.6-5	KNEE LIFTER PRESSER ROD	1
13	L.14-02	VINYL COVER	1
14	GC5580.1.2	EC PRODUCTION DECLARATION	
15	GC5580.11-17	DEFRIX OIL NO.1	1
16	101.18-2	SPACER	1
17	91-029836-75	ACCESSORIE BAG	1
18	GB5653 2	WRENCH	1
19	GB5653 2.5	WRENCH	1
20	201.8-5	OILER ASM	1
21	Gb56533	HEXAGONAL WRENCH KEY	3